

## aigo P7000 PCIe SSD

aigo P7000 SSDs are equipped with M.2 PCIe Gen4 x4 interface and offer capacity up to 2TB. It delivers read/write performance up to 7000/6850MB/s based on 3D NAND flash with 1GB/2GB DDR4. It offers higher durability and Total Bytes Written (TBW) can reach up to 1400TB.

## Features

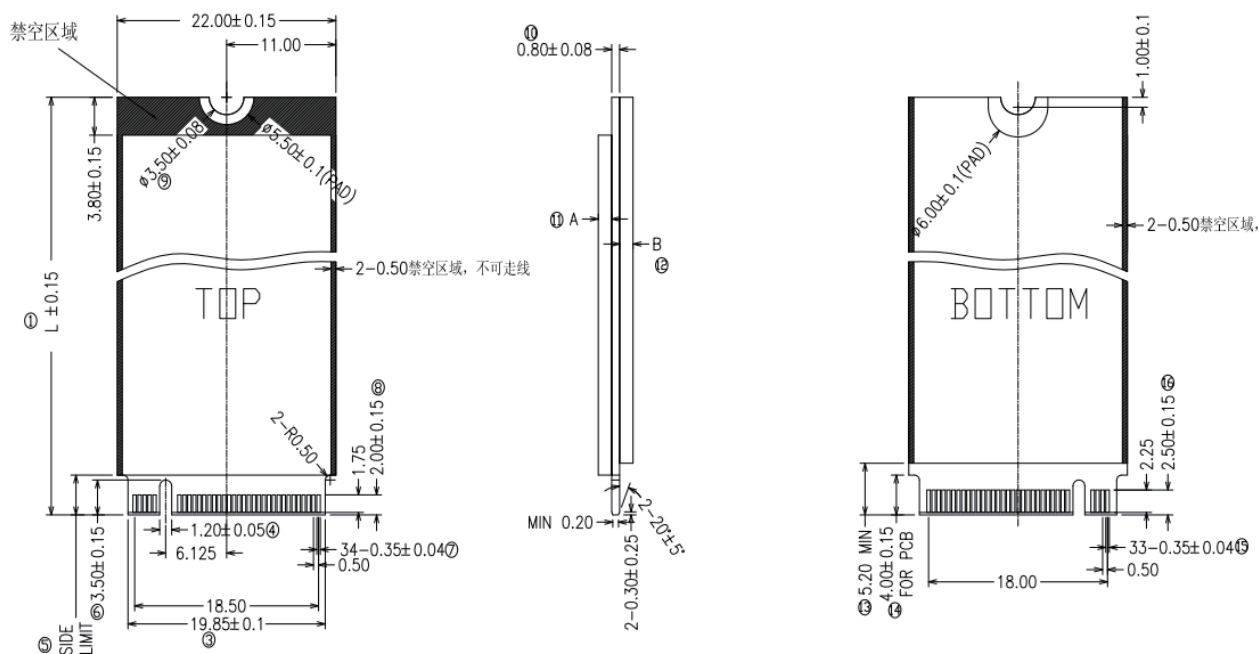
- NVMe 1.4 support
- Ultra-fast PCIe Gen4 x4 interface.
- 1000:1 high performance DDR4 SDRAM
- SMART feature set
- Support Trim and Garbage Collection (GC)
- Support Host Memory Buffer (HMB)
- Supports SLC Caching for improved performance
- 3D NAND Flash for higher durability and enough capacity
- Advanced hardware LDPC ECC Technology

## Ordering Information

Capacity	Model Name	EAN Code
1TB	aigo NVMe SSD P7000 1TB	6970704316186
2TB	aigo NVMe SSD P7000 2TB	6970704316193

## Specifications

- Capacity: 1TB/2TB
- NAND Flash: 3D NAND
- Interface: PCIe Gen4x4
- Form factor: M.2 2280
- Dimensions (L x W x H): 80x 22 x 2.8mm
- Weight: 9g
- RAM: 1GB/2GB DDR4
- Operating temperature: 0°C-40°C
- Storage temperature: -40°C-85°C
- Error correction: LDPC ECC
- MTBF: 1,500,000 hours
- Warranty: 5 years



L	A(MAX)	B(MAX)
80	1	1

## Performance

Capacity	CDM7.0.0		TBW
	Seq.Read	Seq.Write	
1TB	up to 7000MB/s	up to 5500MB/s	700TB
2TB	up to 7000MB/s	up to 6850MB/s	1400TB

\*Performance may vary based on SSD capacity, hardware test platform, test software, operating system, and other system variables.